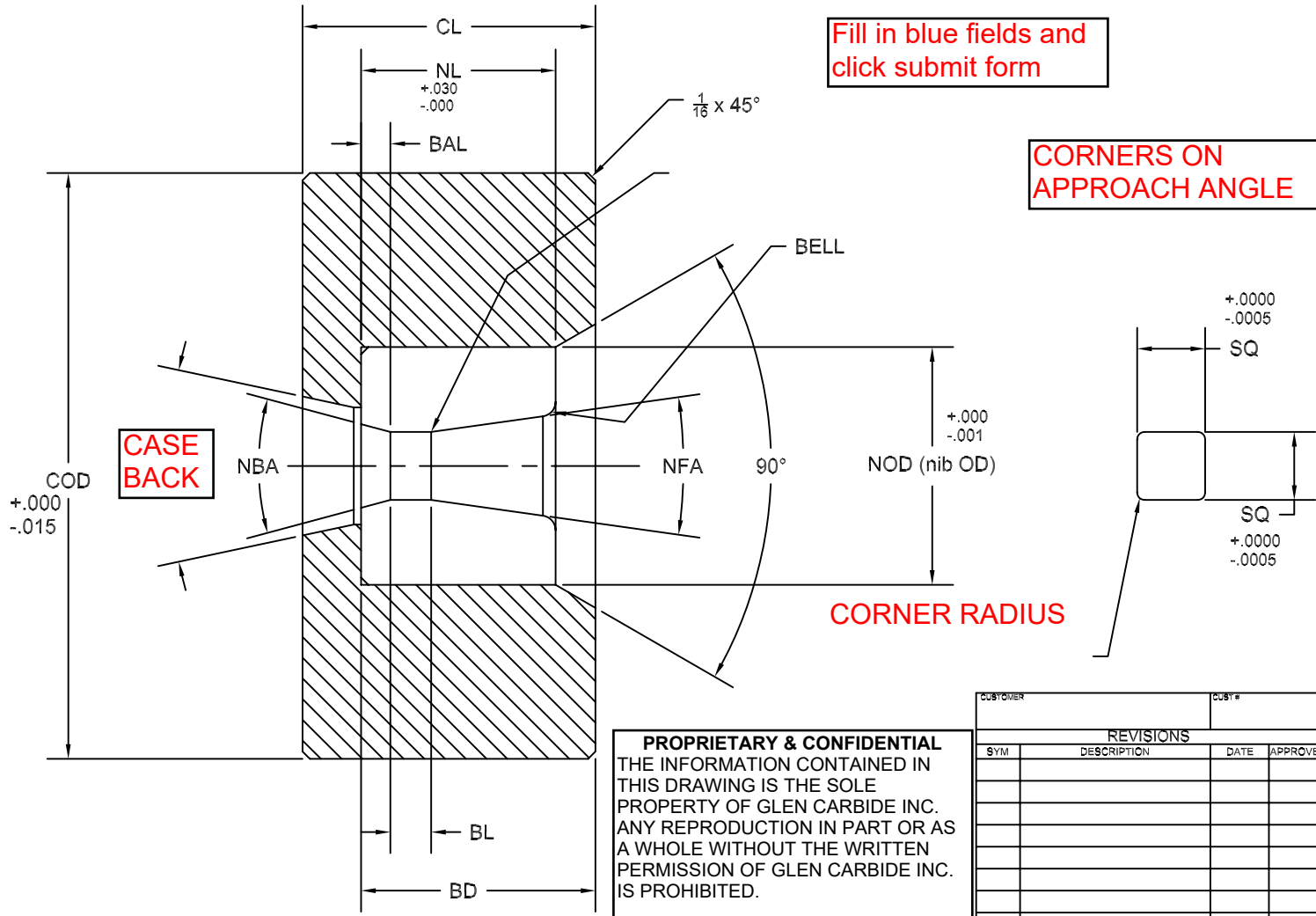


ITEM	NIB									CASE		
	SQ	BL	NOD	NL	NFA	NBA	BAL		BELL	COD	CL	BD
1												
2												
3												
4												
5												



Fill in blue fields and click submit form

CASE BACK OPENING

CORNERS ON APPROACH ANGLE

CASE BACK

CORNER RADIUS

COMPANY CONTACT PHONE

PROPRIETARY & CONFIDENTIAL
 THE INFORMATION CONTAINED IN THIS DRAWING IS THE SOLE PROPERTY OF GLEN CARBIDE INC. ANY REPRODUCTION IN PART OR AS A WHOLE WITHOUT THE WRITTEN PERMISSION OF GLEN CARBIDE INC. IS PROHIBITED.

CUSTOMER		CUST #	
REVISIONS			
SYM	DESCRIPTION	DATE	APPROVED

GLEN CARBIDE, INC.

TOLERANCES EXCEPT AS NOTED	MATERIAL	APPROVED	DRAWN BY JPM
.XX=±.005 .XXX=±.001 Frac=±.010 Ang=±0°15'			SCALE
TITLE SHAPE DIE (SQUARE)			
DATE 7-10-02	DRAWING # 12345	REV	