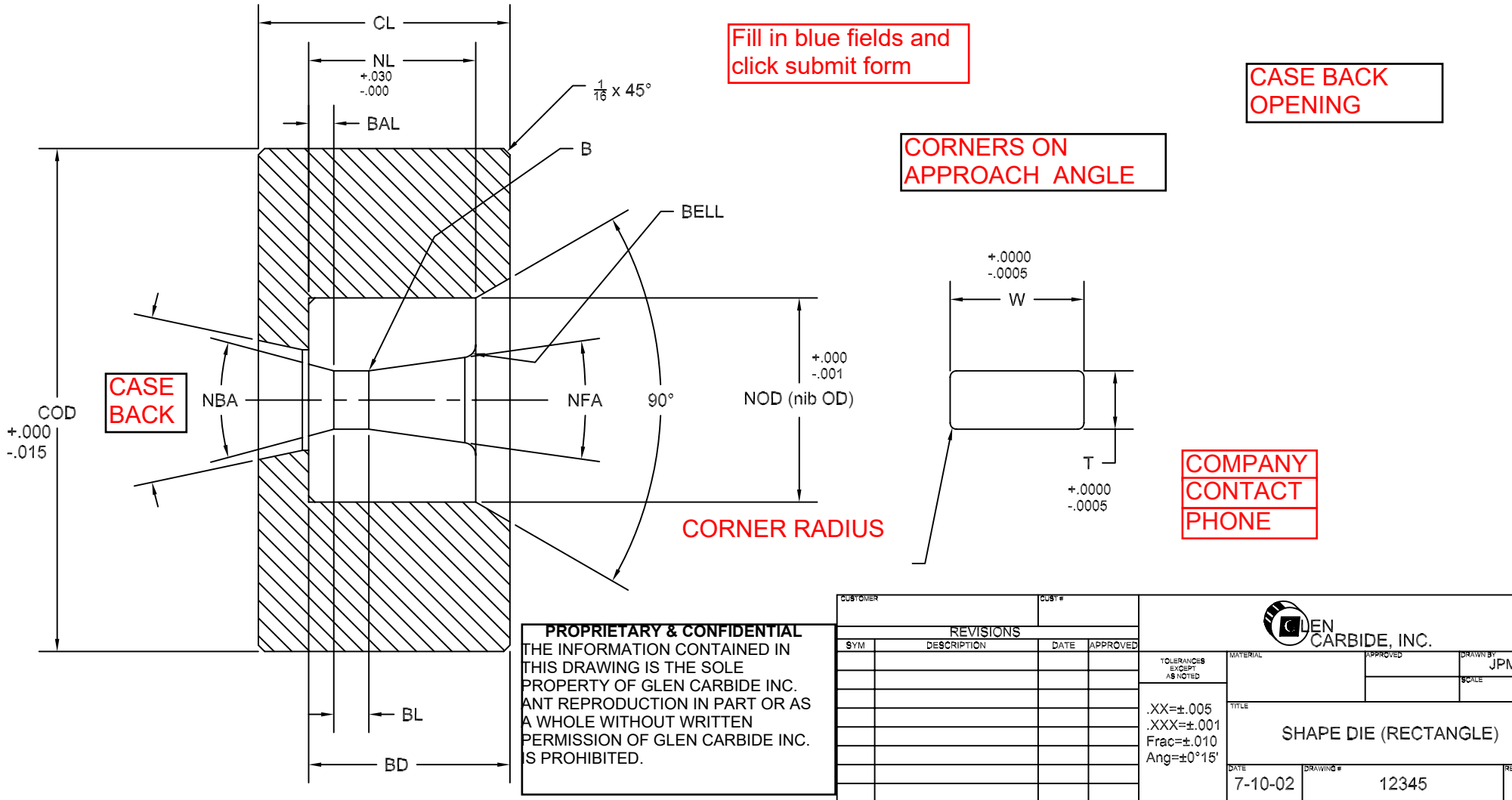


ITEM	NIB									CASE		
	T	W	BL	NOD	NL	NFA	NBA	BAL	BELL	COD	CL	BD
1												
2												
3												
4												
5												



PROPRIETARY & CONFIDENTIAL
 THE INFORMATION CONTAINED IN THIS DRAWING IS THE SOLE PROPERTY OF GLEN CARBIDE INC. ANY REPRODUCTION IN PART OR AS A WHOLE WITHOUT WRITTEN PERMISSION OF GLEN CARBIDE INC. IS PROHIBITED.

CUSTOMER		CUST #	
REVISIONS			
SYM	DESCRIPTION	DATE	APPROVED

GLEN CARBIDE, INC.			
TOLERANCES EXCEPT AS NOTED	MATERIAL	APPROVED	DRAWN BY JPM
.XX=±.005 .XXX=±.001 Frac=±.010 Ang=±0°15'	TITLE	SCALE	
	SHAPE DIE (RECTANGLE)		
DATE	DRAWING #	REV	
7-10-02	12345		