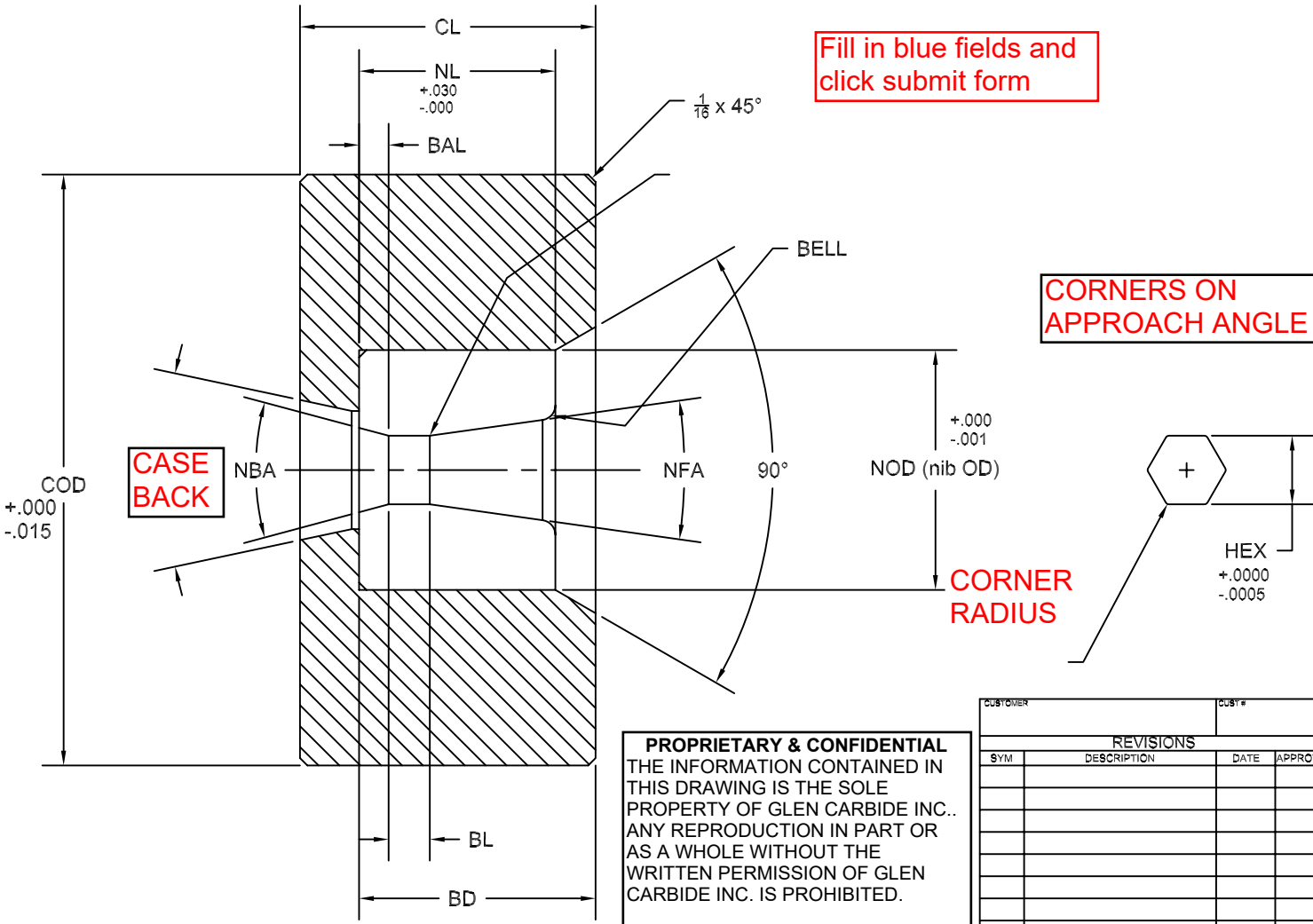


ITEM	NIB								CASE			
	HEX	BL	NOD	NL	NFA	NBA	BAL		BELL	COD	CL	BD
1												
2												
3												
4												
5												



Fill in blue fields and click submit form

CASE BACK OPENING

CORNERS ON APPROACH ANGLE

CASE BACK

CORNER RADIUS

COMPANY CONTACT PHONE

PROPRIETARY & CONFIDENTIAL
 THE INFORMATION CONTAINED IN THIS DRAWING IS THE SOLE PROPERTY OF GLEN CARBIDE INC.. ANY REPRODUCTION IN PART OR AS A WHOLE WITHOUT THE WRITTEN PERMISSION OF GLEN CARBIDE INC. IS PROHIBITED.

CUSTOMER		CUST #							
REVISIONS							MATERIAL		APPROVED
SYM	DESCRIPTION	DATE	APPROVED	TOLERANCES EXCEPT AS NOTED		SCALE		TITLE	
				.XX=±.005 .XXX=±.001 Frac=±.010 Ang=±0°15'		SHAPE DIE (HEX)			
				DATE		DRAWING #		REV	
				7-10-02		12345			