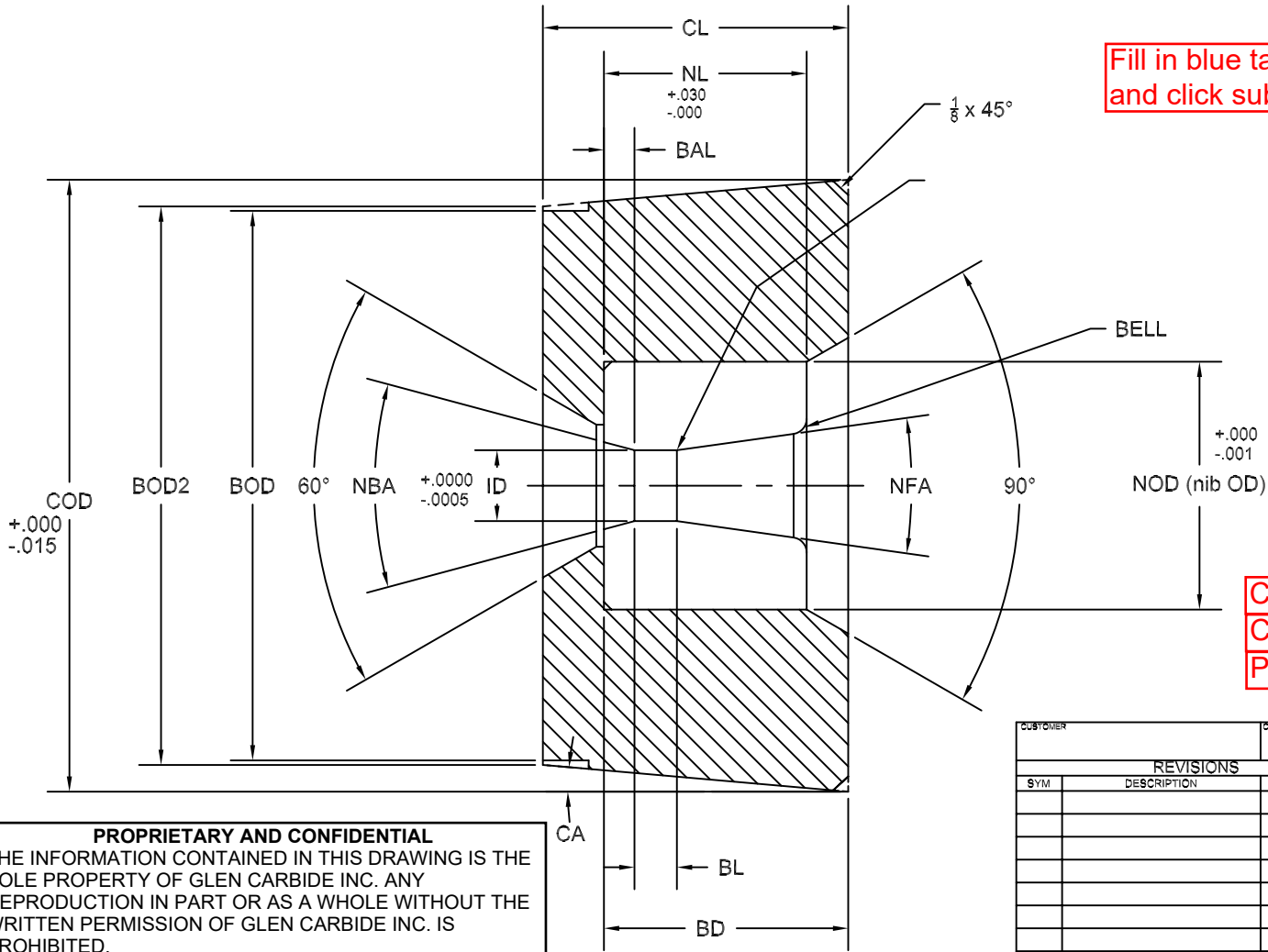


ITEM	NIB								CASE					
	ID	BL	NOD	NL	NFA	NBA	BAL	BELL	COD	CL	BD	BOD	BOD2	CA
1														
2														
3														
4														
5														



Fill in blue table above
and click submit form

TABLE-A

NIB	O.D. x HEIGHT
R4	.500 x .450
R5	.625 x .600
R6	.710 x .700
R7	.768 x .768
R8	1.000 x .820
R9	1.187 x .820
R10	1.500 x 1.000
R11	1.830 x 1.250
R12	2.185 x 1.375
R14	2.560 x 1.375
R15	3.000 x 1.375
R16	3.500 x 1.375
R17	4.000 x 1.500

Company
Contact
Phone

PROPRIETARY AND CONFIDENTIAL
THE INFORMATION CONTAINED IN THIS DRAWING IS THE SOLE PROPERTY OF GLEN CARBIDE INC. ANY REPRODUCTION IN PART OR AS A WHOLE WITHOUT THE WRITTEN PERMISSION OF GLEN CARBIDE INC. IS PROHIBITED.

CUSTOMER		CUST#							
REVISIONS							MATERIAL		APPROVED
SYM	DESCRIPTION	DATE	APPROVED	TOLERANCES EXCEPT AS NOTED		SCALE		TITLE	
				.XX=±.005 .XXX=±.001 Frac=±.010 Ang=±0°15'		DRAW DIE (ROUND)		DATE	
						DRAWING #		REV	
						7-10-02		12345	