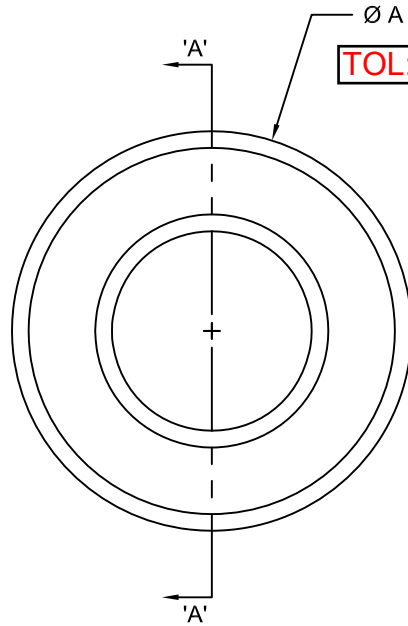
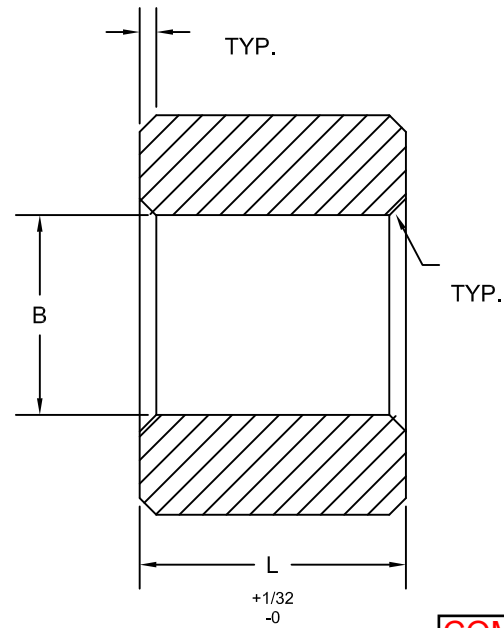


Fill in blue fields  
and click submit

A	B	L




TOL:



SECTION A-A

COMPANY  
CONTACT  
PHONE

**PROPRIETARY AND CONFIDENTIAL**  
THE INFORMATION CONTAINED IN THIS  
DRAWING IS THE SOLE PROPERTY OF  
GLEN CARBIDE INC. ANY REPRODUCTION  
IN PART OR AS A WHOLE WITHOUT  
WRITTEN PERMISSION OF GLEN CARBIDE  
INC. IS PROHIBITED.

CUSTOMER		CUST #		 <b>GLEN CARBIDE, INC.</b>			
REVISIONS				TOLERANCES EXCEPT AS NOTED	MATERIAL	APPROVED	DRAWN BY JPM
SYM	DESCRIPTION	DATE	APPROVED				
				.XX=±.005 .XXX=±.001 Frac=±.010 Ang=±0°15'	FINISHED SHELL MANDREL	DATE 6-25-01	DRAWING # 12345-S