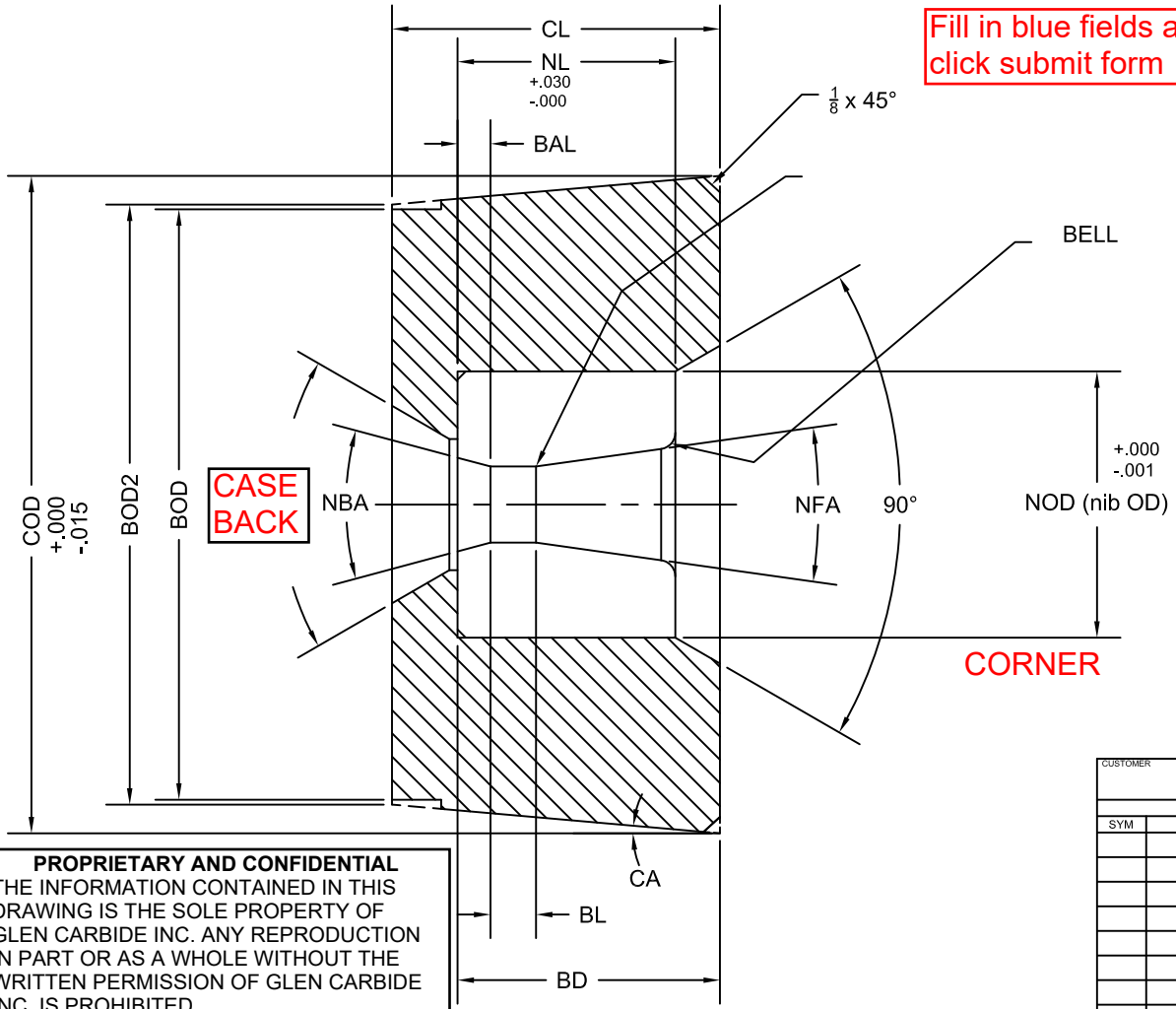


ITEM	NIB										CASE					
	T	W	BL	NOD	NL	NFA	NBA	BAL		BELL	COD	CL	BD	BOD	BOD2	CA
1																
2																
3																
4																
5																

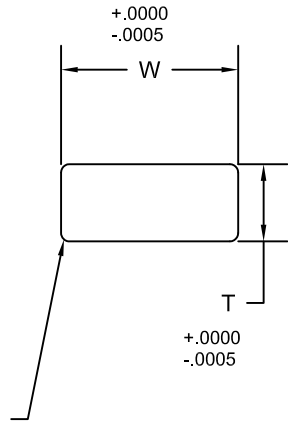


Fill in blue fields and click submit form

CASE BACK

CORNERS ON APPROACH

COMPANY CONTACT PHONE



**PROPRIETARY AND CONFIDENTIAL**  
 THE INFORMATION CONTAINED IN THIS DRAWING IS THE SOLE PROPERTY OF GLEN CARBIDE INC. ANY REPRODUCTION IN PART OR AS A WHOLE WITHOUT THE WRITTEN PERMISSION OF GLEN CARBIDE INC. IS PROHIBITED.

CUSTOMER		CUST #																																																																							
<table border="1"> <thead> <tr> <th colspan="4">REVISIONS</th> </tr> <tr> <th>SYM</th> <th>DESCRIPTION</th> <th>DATE</th> <th>APPROVED</th> </tr> </thead> <tbody> <tr><td> </td><td> </td><td> </td><td> </td></tr> <tr><td> </td><td> </td><td> </td><td> </td></tr> <tr><td> </td><td> </td><td> </td><td> </td></tr> <tr><td> </td><td> </td><td> </td><td> </td></tr> <tr><td> </td><td> </td><td> </td><td> </td></tr> <tr><td> </td><td> </td><td> </td><td> </td></tr> <tr><td> </td><td> </td><td> </td><td> </td></tr> <tr><td> </td><td> </td><td> </td><td> </td></tr> <tr><td> </td><td> </td><td> </td><td> </td></tr> </tbody> </table>							REVISIONS				SYM	DESCRIPTION	DATE	APPROVED																																					<table border="1"> <tr> <td>TOLERANCES EXCEPT AS NOTED</td> <td>MATERIAL</td> <td>APPROVED</td> <td>DRAWN BY JPM</td> </tr> <tr> <td>.XX=±.005</td> <td></td> <td></td> <td>SCALE</td> </tr> <tr> <td>.XXX=±.001</td> <td colspan="3">TITLE</td> </tr> <tr> <td>Frac=±.010</td> <td colspan="3">SHAPE DIE (RECTANGLE)</td> </tr> <tr> <td>Ang=±0°15'</td> <td>DATE</td> <td>DRAWING #</td> <td>REV</td> </tr> <tr> <td></td> <td>7-10-02</td> <td>12345</td> <td></td> </tr> </table>		TOLERANCES EXCEPT AS NOTED	MATERIAL	APPROVED	DRAWN BY JPM	.XX=±.005			SCALE	.XXX=±.001	TITLE			Frac=±.010	SHAPE DIE (RECTANGLE)			Ang=±0°15'	DATE	DRAWING #	REV	
REVISIONS																																																																									
SYM	DESCRIPTION	DATE	APPROVED																																																																						
TOLERANCES EXCEPT AS NOTED	MATERIAL	APPROVED	DRAWN BY JPM																																																																						
.XX=±.005			SCALE																																																																						
.XXX=±.001	TITLE																																																																								
Frac=±.010	SHAPE DIE (RECTANGLE)																																																																								
Ang=±0°15'	DATE	DRAWING #	REV																																																																						
	7-10-02	12345																																																																							