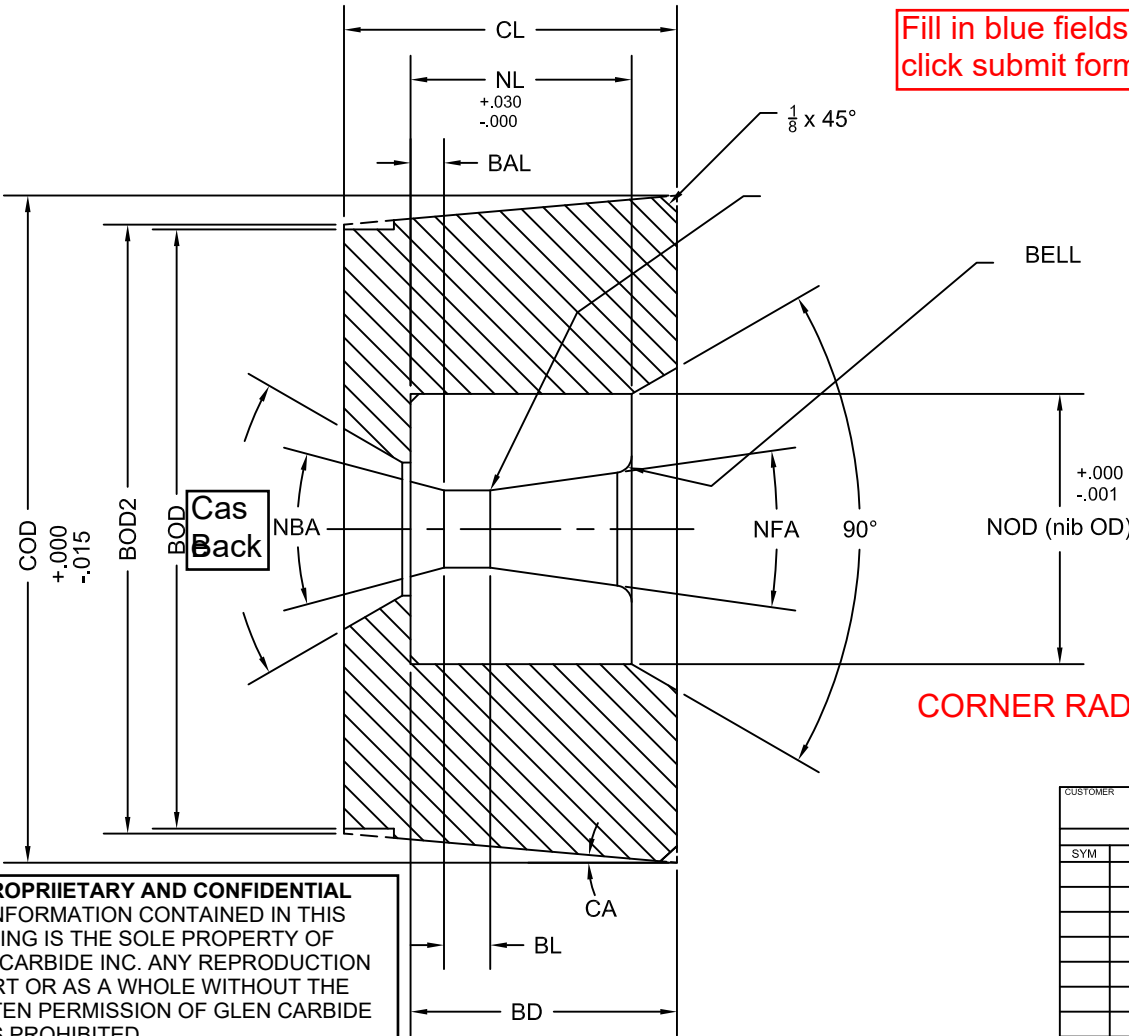


ITEM	NIB									CASE					
	HEX	BL	NOD	NL	NFA	NBA	BAL		BELL	COD	CL	BD	BOD	BOD2	CA
1															
2															
3															
4															
5															



Fill in blue fields and click submit form

CASE BACK OPENNING

CORNERS ON APPROACH ANGLE

CORNER RADIUS

COMPANY CONTACT PHONE

PROPRIETARY AND CONFIDENTIAL
 THE INFORMATION CONTAINED IN THIS DRAWING IS THE SOLE PROPERTY OF GLEN CARBIDE INC. ANY REPRODUCTION IN PART OR AS A WHOLE WITHOUT THE WRITTEN PERMISSION OF GLEN CARBIDE INC. IS PROHIBITED.

CUSTOMER		CUST #					
REVISIONS							
SYM	DESCRIPTION	DATE	APPROVED	TOLERANCES EXCEPT AS NOTED	MATERIAL	APPROVED	DRAWN BY JPM
				.XX=±.005 .XXX=±.001 Frac=±.010 Ang=±0°15'			SCALE
					TITLE SHAPE DIE (HEX)		
				DATE 7-10-02	DRAWING # 12345	REV	