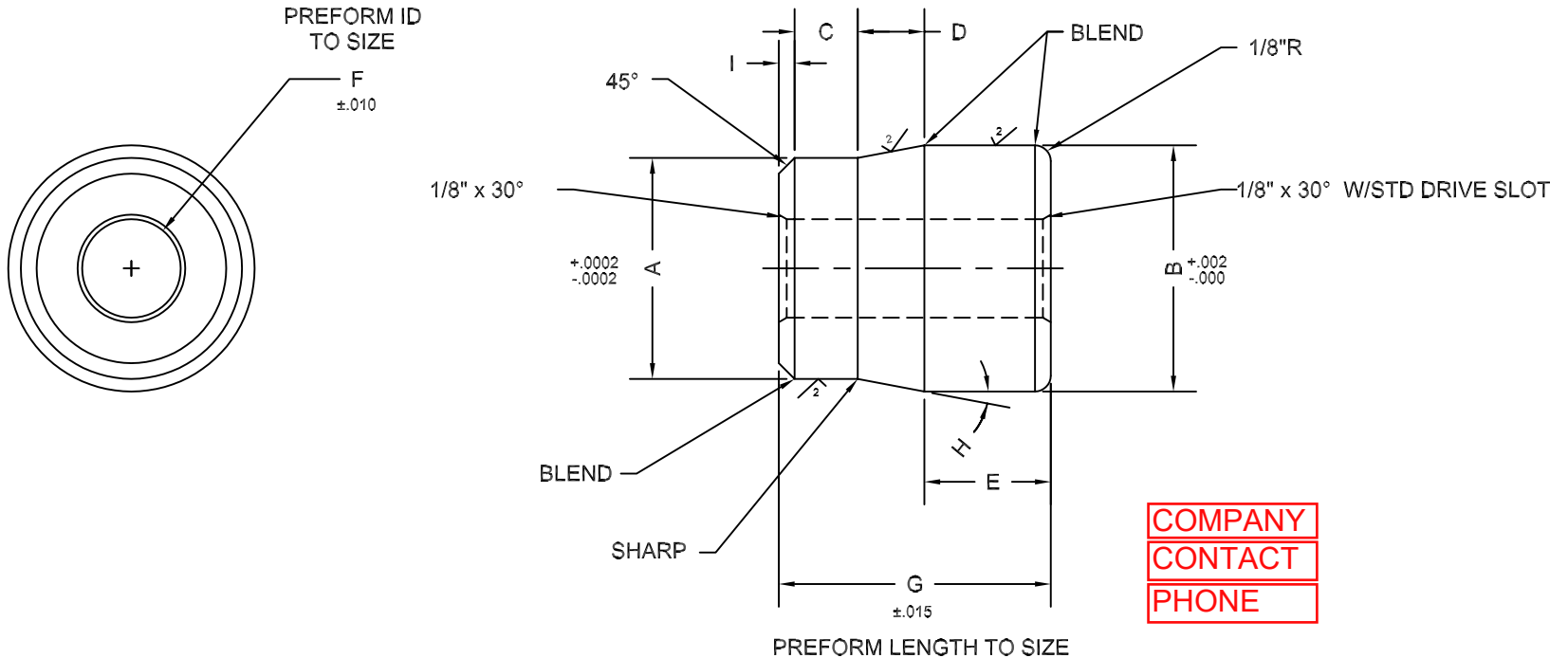


Fill in blue fields and click submit form

ITEM	A	B	C	D	E	F	G	H	I
1									
2									
3									
4									
5									
6									



COMPANY  
CONTACT  
PHONE

PREFORM LENGTH TO SIZE

**PROPRIETARY AND CONFIDENTIAL**  
THE INFORMATION CONTAINED IN THIS DRAWING IS THE SOLE PROPERTY OF GLENCARBIDE INC. ANY REPRODUCTION IN PART OR AS A WHOLE WITHOUT THE WRITTEN PERMISSION OF GLEN CARBIDE INC. IS PROHIBITED.

REVISIONS				GLEN CARBIDE, INC.	
SYM	DESCRIPTION	DATE	APPROVED	MATERIAL	APPROVED
					J. MAKAR
					SCALE
				TITLE <b>SEMI FLOATING PLUG</b>	
				DATE 4-9-01	DRAWING # 12345
					REV

TOLERANCES EXCEPT AS NOTED  
.XX=±.005  
.XXX=±.001  
Frac=±.010  
Ang=±0°15'